

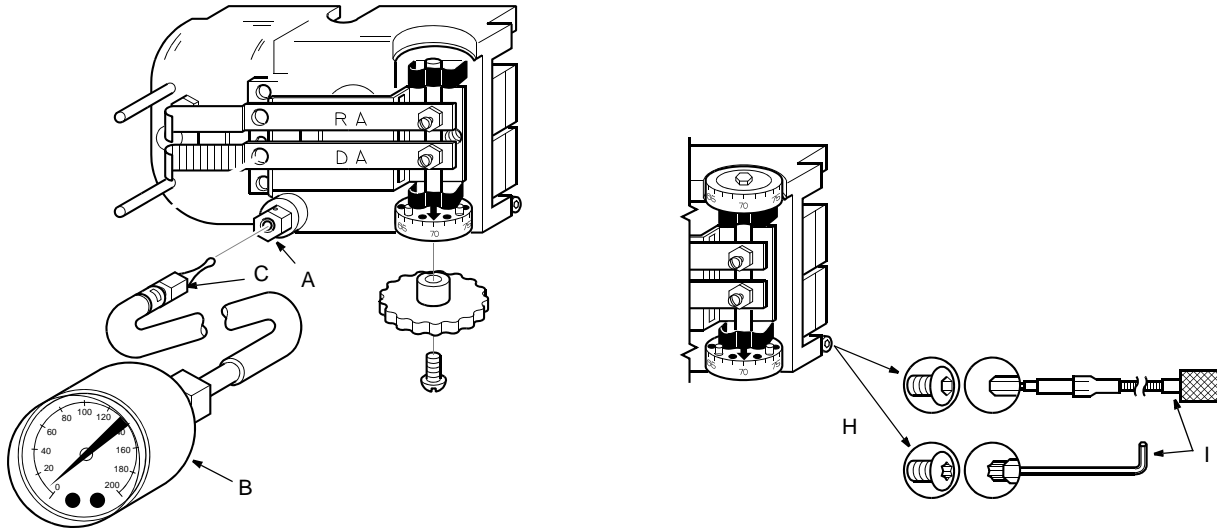
T-4000 Series

Test Equipment and Repair Parts

Description

The multi-part selection chart below lists the available repair parts and test equipment to maintain all T-4000 Series Pneumatic Thermostats.

Refer to *T-4000-619 Repair Parts Manual for H-4000, H-5000, T-4000 and T-5000 Series Instruments Installation Data (LIT-7171088X)* for important additional product information.

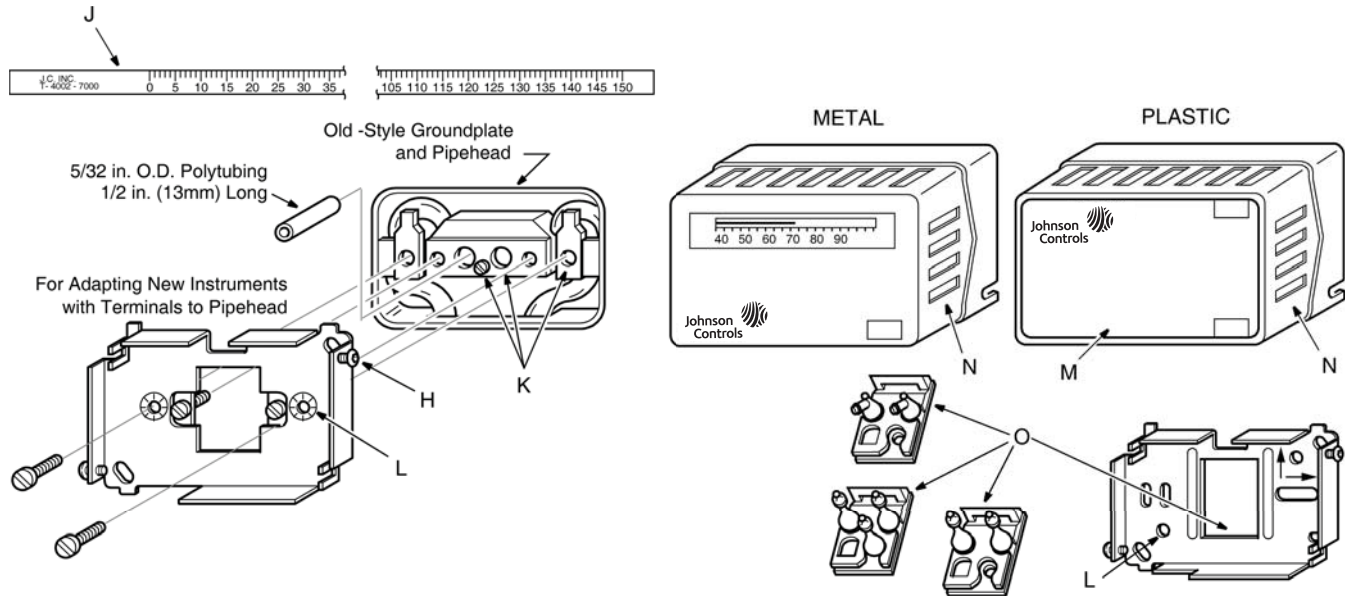


Selection Chart

T-4000 Test Equipment (Part 1 of 4)

Code Number	Callout	Description	Where Used
T-4000-615	A	Test Port Fitting, Plug-In (Order in Multiples of Ten)	All Instruments
JC 5310	B	Test Gages	0 to 30 psig (0 to 210 kPa)
JC 5386			50 to 100°F, 40 to 240°F, 40 to 65°F, 60 to 85°F
JC 5361	C	Hypodermic Test Probe with Two Needles	All Instruments Using the T-4000-615 Test Port Fitting
JC 5384		Replacement Needles (Order in Multiples of 12)	All Instruments
T-4002-617	H	Screws for Cover and Bracket	#4-40 x 1/4 in. Hex Screws (Order in Multiples of 100)
T-4000-627			#4-40 x 1/4 in. Torx Tamper Proof Screws with Driver (Order in Multiples of 50)
T-4000-628			#4-40 x 1/4 in. Torx Tamper Proof Screws (Order in Multiples of 100)
JC 5309	I	Cover and Bracket Screwdrivers	Allen Head Flex Driver (Order in Multiples of One)
T-4000-629			Torx Tamper Proof Driver (Order in Multiples of Five)

Test Equipment and Repair Parts (Continued)



T-4000 Test Equipment (Part 2 of 4)

Code Number	Callout	Description	Where Used			
T-4506-100	J	Stick-On Dial Strips: (Order in Multiples of Five)	Upper	0 to 150°F -20 to 80°C	Dual Dial Thermostats Only (Upper Dial)	
T-4506-102			Lower	0 to 150°F -20 to 80°C		
T-4000-115		K	Horizontal Thermostats	Right	0 to 150°F	Single or Dual Dial Thermostats (Lower Dial)
T-4000-117				Left	0 to 150°F -20 to 80°C	
T-4000-116			Vertical Thermostats	Right	0 to 150°F	Single or Dual Dial Thermostats (Right Dial)
T-4506-101				Left	0 to 150°F -20 to 80°C	
T-4506-103	L	Mounting Brackets	For Old-Style Pipeheads		All Instruments with Pipeheads or Aspirator Wallboxes	
T-4002-625			Pipehead Gasket and Holding Screw For Two-Pipe and Three-Pipe Instruments (Order in Multiples of Ten)			
M-4002-600	M	Cover and/or Bracket Holding Nut (Order in Multiples of 50)		All 4000 Series Instruments with 1-3/4 in. High Plastic Covers Note: Faceplates with Thermometer and Dual Window Cutouts Cannot be Used on Old-Style, 1-5/8 in. High Plastic Covers		
T-4002-6049		Mounting Brackets; Kit Includes Drywall Clips, Spacers, and Mounting Templates				
T-4002-124	M	Faceplates for Plastic Covers (Order in Multiples of Ten)	Horizontal, Thermometer, No Windows	Horizontal, No Thermometer, Dual Windows		
T-4000-6140			Horizontal, Thermometer, Single Window			
T-4000-6142			Vertical, Thermometer, Single Window			
T-4000-6146			Vertical, Thermometer, No Windows			
T-4000-6147			Vertical, Thermometer, Dual Windows			
T-4756-6739			Horizontal, Thermometer, Dual Windows			
T-4756-6738			Vertical, No Thermometer, Dual Windows			
T-4756-6141			Horizontal Johnson Controls Logo Only		These Faceplates can also be used on Old-Style Covers.	
T-4756-6145			Vertical, Johnson Controls Logo Only			
T-4000-6139			Vertical, No Thermometer Single Window			
T-4000-6144			Horizontal, No Thermometer Single Window		All T-4100 and T-4600 Series Thermostats	
T-4000-6145			Blank			
T-4000-6141			Horizontal Johnson Controls Logo Only			
T-4000-6138			Horizontal Thermometer Johnson Controls Logo Only		All T-4100 and T-4600 Series Thermostats	
T-4100-101			Blank			
T-4100-102						
T-4100-100						

Test Equipment and Repair Parts (Continued)

T-4000 Test Equipment (Part 3 of 4)

Code Number	Callout	Description	Where Used				
T-4000-2138	N	Beige Plastic Covers with Faceplates	All Instruments Except T-4100 and T-4600 Series Thermostats				
T-4000-2139				Horizontal, Blank			
T-4000-2140				Horizontal, No Thermometer, No Windows			
T-4000-2141				Horizontal, Thermometer, No Windows			
T-4000-2142				Horizontal, No Thermometer, Single Window			
T-4000-2144				Horizontal, Thermometer, Single Window			
T-4000-2145				Vertical, No Thermometer, No Windows			
T-4000-2145				Vertical, No Thermometer, Single Window			
T-4000-2151				Vertical, Thermometer, No Windows			
T-4000-2146				Vertical, Thermometer, Single Window			
T-4756-1738				Horizontal, Thermometer, Dual Windows			
T-4756-1739				Vertical, Thermometer, Dual Windows			
T-4756-2141				Horizontal, No Thermometer, Dual Windows			
T-4100-600				Vertical, Thermometer, Single Window (Also Includes a Blank Faceplate)	T-4100 and T-4600 Series Thermostats		
T-4000-3140				White Plastic Covers with Faceplates	Horizontal, Thermometer	All Instruments Except T-4100 and T-4600 Series Thermostats	
T-4000-3142	Horizontal, Thermometer, Single Window						
T-4000-3139	Horizontal, No Thermometer, No Windows						
T-4000-3141	Horizontal, No Thermometer, Single Window						
T-4000-3144	Vertical, No Thermometer, No Windows						
T-4000-3145	Vertical, No Thermometer, Single Window						
T-4000-3139B	Horizontal, No Thermometer, No Windows (Order in Multiples of 50)						
T-4002-2137	Metal Covers	Horizontal, Blank, Nickel	All Instruments Except T-4100 and T-4600 Series Thermostats. Note: Covers with Thermometers Cannot Be Used with Dual Dial Thermostats.				
T-4002-2126				Horizontal, No Thermometer, No Windows, Nickel			
T-4002-2127				Horizontal, No Thermometer, No Windows, Brass			
T-4002-2123				Horizontal, Thermometer, Single Window, Nickel			
T-4002-2124				Horizontal, Thermometer, Single Window, Brass			
T-4506-2000				Horizontal, No Thermometer, Dual Windows, Nickel			
T-4506-2001				Horizontal, No Thermometer, Dual Windows, Brass			
T-4502-1736				Horizontal, No Thermometer, Slot for Indexing Switch, No Windows, Nickel			
T-4506-2004				Horizontal, No Thermometer, Slot for Indexing Switch, Dual Windows, Nickel			
T-4002-2132				Vertical, No Thermometer, No Windows, Nickel			
T-4002-2133				Vertical, No Thermometer, No Windows, Brass			
T-4002-2129				Vertical, Thermometer, Single Window, Nickel			
T-4002-2130				Vertical, Thermometer, Single Window, Brass			
T-4506-2002				Vertical, No Thermometer, Dual Windows, Nickel			
T-4506-2003				Vertical, No Thermometer, Dual Windows, Brass			
T-4000-616				O	Terminal Connectors (Order in Multiples of Ten)	For T-4000-110 Aspirator Wallbox	
T-4002-122						Three-Pipe Angle Fitting	
T-4002-123						Two-Pipe Straight Fitting	All Two-Pipe Instruments
T-4512-100						Two-Pipe Angle Fitting	
					Three-Pipe Straight Fitting	All Three-Pipe Instruments	

Test Equipment and Repair Parts (Continued)

T-4000 Test Equipment (Part 4 of 4)

Code Number	Callout	Description	Where Used
T-4000-111	P	Aspirator Wallbox Covers	Beige
T-4000-112			Stainless Steel
R-3710-1005	Q	Restrictors (Order in Multiples of Ten)	0.005 in., Red
R-3710-2005			0.005 in., Red, 1/4 x 1/4 in., Straight Barbed Fitting
R-3710-2007			0.007 in., Aqua, 1/4 x 1/4 in., Straight Barbed Fitting
R-3710-3005			0.005 in., Red, 1/4 x 1/4 x 1/4 in., Barbed Tee
R-3710-3007			0.007 in., Aqua, 1/4 x 1/4 x 1/4 in., Barbed Tee
R-3710-3105			0.005 in., Red, 1/4 x 1/4 x 1/8 in., NPT Barbed Tee
R-3710-3107			0.007 in., Aqua, 1/4 x 1/4 x 1/8 in., NPT Barbed Tee
R-3710-3205			0.005 in., Red, 1/4 x 5/32 x 5/32 in., Barbed Tee
R-3710-3207			0.007 in., Aqua, 1/4 x 5/32 x 5/32 in., Barbed Tee
T-4000-622			R
T-4000-623	S	Aspirator Wallbox Retrofit Kit, Includes Instrument Mounting Bracket, Aspirator Subassembly, Terminal Connector, and Set Point Adjustment Wrench	Used in Conjunction with T-4000-111 or -112 Wallplate Cover to Upgrade T-4000-105 and T-4000-106 Aspirator Wallbox Kits to T-4000-110 Aspirator Wallbox Kit

Note: When replacing a single-dial, dual-dial, dual-element thermostat with a dual-dial, dual-element, a new 1-3/4 in. high cover must be ordered to avoid possible interference between the old cover and the second dial on the new thermostat.

Test Equipment and Repair Parts (Continued)

